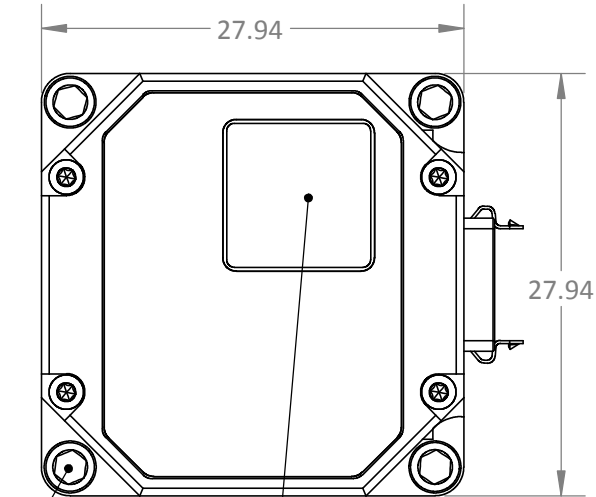
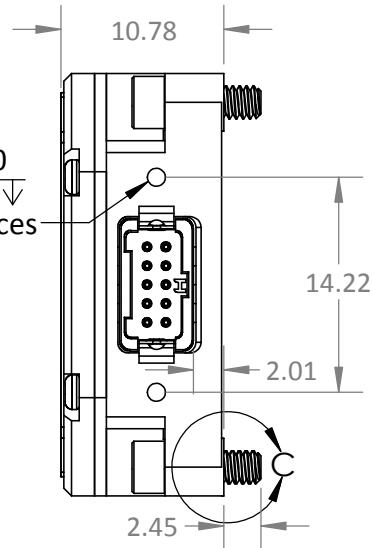


#0-80
2.54 ∇
2 places

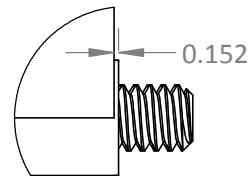


Mounting
2-56 Captive
Socket Head
Cap Screw
18-8 Stainless Steel
5/64" Drive
Note 1

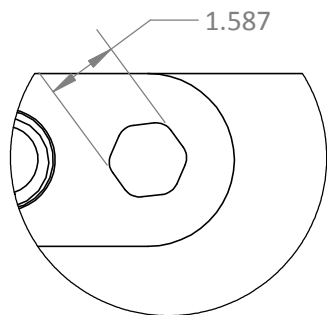
2D BAR CODE
MEMSENSE
MS-IMU3020
MFG DATE:11/01/2019
PN:MP00062-005
REV:G
SN:32000

0.038

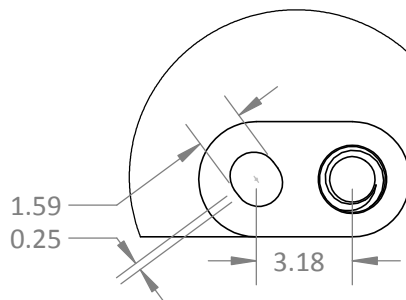
Relative to All
Mounting Surfaces



DETAIL C
SCALE 4 : 1



DETAIL A
SCALE 6 : 1



DETAIL B
SCALE 4 : 1

Note 1: Suggested Maximum Torque: 28.25 N-cm
While this value is provided from reliable sources, there are many variables that will effect this value and the use of this information is at the sole risk of the user.

TITLE: DOC00449 Rev F MS-IMU3020 Dimensional Drawing Metric			
UNLESS OTHERWISE SPECIFIED:		NAME	DATE
DIMENSIONS ARE IN MM		DRAWN	JB 11-01-2019
TOLERANCES		ENG APPR.	DL 11-01-2019
ANGULAR: MACH ± 0.1		MFG APPR.	EL 11-01-2019
TWO PLACE DECIMAL ± 0.25		DOC NO	
THREE PLACE DECIMAL ± 0.076		REV	
FOUR PLACE DECIMAL ± 0.0127		DOC00449 F	
INTERPRET GEOMETRIC TOLERANCING PER:	ASME Y14.5-2009	PART NO	
MATERIAL	6061-T6 AL	REV	
FINISH	MIL-A-8625 ANODIZE	MP00062 G	
DO NOT SCALE DRAWING	SCALE: 2:1	WEIGHT:	SHEET 1 OF 1



PROPRIETARY AND CONFIDENTIAL
THE INFORMATION CONTAINED IN THIS DRAWING IS THE SOLE PROPERTY OF MEMSENSE, LLC. ANY REPRODUCTION IN PART OR AS A WHOLE WITHOUT THE WRITTEN PERMISSION OF MEMSENSE, LLC IS PROHIBITED.