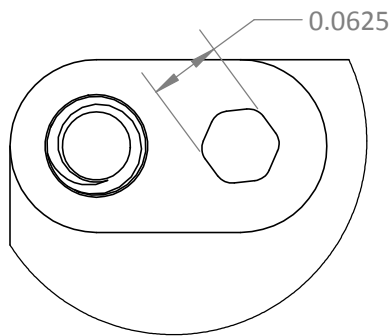
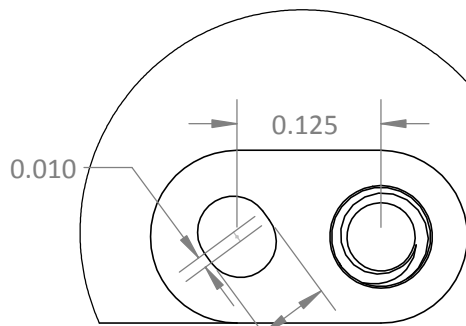


DETAIL C
SCALE 4 : 1

Note 1: Suggested Maximum Torque: 2.5 in-lbs
While this value is provided from reliable sources, there are many variables that will effect this value and the use of this information is at the sole risk of the user.



DETAIL D
SCALE 6 : 1



DETAIL B
SCALE 6 : 1

TITLE: DOC00448 Rev F MS-IMU3020-Dimensional-Drawing-Imperial			
UNLESS OTHERWISE SPECIFIED:		NAME	DATE
DIMENSIONS ARE IN INCHES		DRAWN	JB 11-01-2019
TOLERANCES		ENG APPR.	DL 11-01-2019
ANGULAR: MACH ±0.1		MFG APPR.	EL 11-01-2019
TWO PLACE DECIMAL ±0.010		DOC NO	
THREE PLACE DECIMAL ±0.003		REV	
FOUR PLACE DECIMAL ±0.0005		DOC00448 F	
INTERPRET GEOMETRIC TOLERANCING PER: ASME Y14.5-2009		SIZE	
MATERIAL 6061-T6 AL		PART NO	
FINISH MIL-A-8625 ANODIZE		MP00062 G	
DO NOT SCALE DRAWING		SCALE: 2:1	WEIGHT: SHEET 1 OF 1



PROPRIETARY AND CONFIDENTIAL
THE INFORMATION CONTAINED IN THIS DRAWING IS THE SOLE PROPERTY OF MEMSENSE, LLC. ANY REPRODUCTION IN PART OR AS A WHOLE WITHOUT THE WRITTEN PERMISSION OF MEMSENSE, LLC IS PROHIBITED.