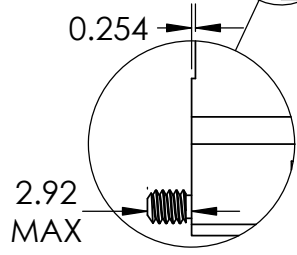
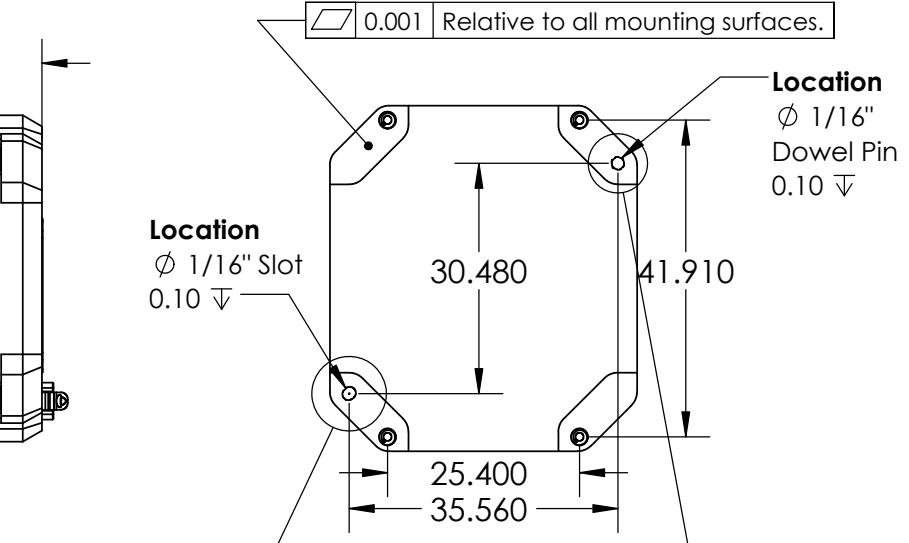


2D BAR CODE
 MODEL: MS-IMU3050
 DATE: YYWW
 PN: MP00067-002
 REV: C
 SN: XXXXX

#0-80
 0.100 ∇
 2 places

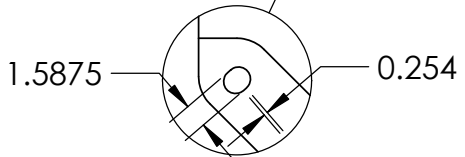


DETAIL A
 SCALE 2 : 1

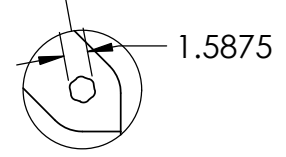


Location
 ∅ 1/16" Slot
 0.10 ∇

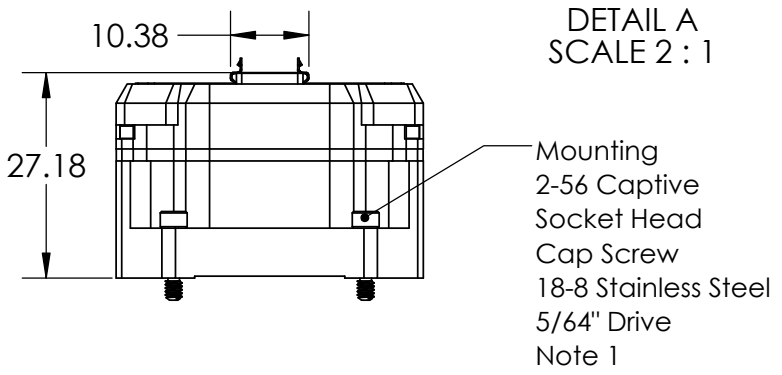
Location
 ∅ 1/16" Dowel Pin
 0.10 ∇



DETAIL B
 SCALE 2 : 1



DETAIL C
 SCALE 2 : 1



Mounting
 2-56 Captive
 Socket Head
 Cap Screw
 18-8 Stainless Steel
 5/64" Drive
 Note 1

Note 1: Suggested Maximum Torque: 28.2 N-cm

This value is a maximum, it is not recommended to torque to this value. While this value is provided from reliable sources, there are many variables that may effect this value and the use of this information is at the sole risk of the user.

TITLE: DOC00466 Rev-D MS-IMU3050 Dimensional Drawing Metric			
UNLESS OTHERWISE SPECIFIED:		NAME	DATE
DIMENSIONS ARE IN MM		DRAWN	JB
TOLERANCES		EFFECTIVE	PLM
ANGULAR: MACH ±0.1			
TWO PLACE DECIMAL ±0.254			
THREE PLACE DECIMAL ±0.0762			
FOUR PLACE DECIMAL ±0.0127			
INTERPRET GEOMETRIC TOLERANCING PER: ASME Y14.5-2018		DOC NO	
		DOC00466	
		REV	
		D	
MATERIAL 6061-T6 ALUMINUM		SIZE	PART NO
FINISH MIL-A-8625 ANODIZE		MP00067	
DO NOT SCALE DRAWING		SCALE: 1:1	WEIGHT: 79g
		SHEET 1 OF 1	



PROPRIETARY AND CONFIDENTIAL
 THE INFORMATION CONTAINED IN THIS DRAWING IS THE SOLE PROPERTY OF MEMSENSE, LLC. ANY REPRODUCTION IN PART OR AS A WHOLE WITHOUT THE WRITTEN PERMISSION OF MEMSENSE, LLC IS PROHIBITED.